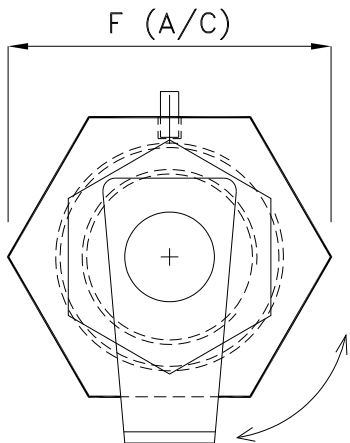


**FRONT VIEW**



**PLAN  
BREATHER/DRAIN  
PLUG**

**STANDARD DIMENSION TABLE :**

D	E	F
3/4"	ET /NPT / METRIC	40mm / 28/40mm

- Reference IS/IEC Standard as follows :
- 1 - FLAMEPROOF (Ex d) PROTECTION - IIA/IIb & IIC, IS/IEC 60079-1 (2014)
  - 2 - INGRESS (IP) PROTECTION - IP66, IS/IEC 60529 (2001). (Reaffirmed 2014)
- Standard Specification :
- 1 - MATERIAL OF CONSTRUCTION - CAST ALUMINIUM / STAINLESS STEEL / BRASS NICKEL PLATED
  - 2 - NIPPLE SIZE DETAIL AS PER CLIENTS REQUIREMENT
  - 3 - GASKET - NEOPRENE RUBBER GASKET

THIS DRAWING IS PROPERTY OF "SUDHIR SWITCHGEARS PVT. LTD." AND MUST BE RETURNED ON REQUEST IF IT IS SUBMITTED AS CONFIDENTIAL INFORMATION IN CONNECTION WITH ENQUIRY, TENDER, ORDER, OR CONTRACTS IT IS NOT TO BE USED FOR ANY OTHER PURPOSE OR ORDER NOR MAY IT RE-COPIED OR LENT WITHOUT OUR AUTHORITY IN WRITING.

**NOTE :**

- COMPONENT LAYOUT IS TENTATIVE RELOCATION OF PARTS & COMPONENTS IS POSSIBLE AT THE TIME OF ACTUAL MANUFACTURING.
- OVERALL DIMENSIONS ARE ±2mm

<p><b>NOTE :</b></p> <ul style="list-style-type: none"> <li>• COMPONENT LAYOUT IS TENTATIVE RELOCATION OF PARTS &amp; COMPONENTS IS POSSIBLE AT THE TIME OF ACTUAL MANUFACTURING.</li> <li>• OVERALL DIMENSIONS ARE ±2mm</li> </ul>		<p>CAT. No BP/SC/2020</p> <p>MODEL No: BP/2020-1</p> <p>DRN. / profill</p> <p>CHKD. / JASHW</p> <p>APPD. / .</p> <p>SHEET / 1 OF 1</p> <p>SCALE / N. T. S. REV.- 0</p>		<p><b>SUDHIR SWITCHGEARS PVT. LTD.</b> 130, MAINBA SANGHAR MARG, MAINBA - 400 023</p> <p>TITLE : <b>FLAMEPROOF-WEATHERPROOF DRAIN / BREATHER PLUG</b></p> <p>CHKD. CERT. No. IN/CIAMFR/TR22/R/H132 Dt. 07/07/2022</p> <p>PESO No. : .</p> <p>BIS LICENCE No. : CM/L-0003331365</p>				
REV.	DATE	DESCRIPTION	DRN.	CHKD.	APPD.	SCALE	N. T. S.	REV.- 0